

INTERIOR DOOR HANDLES AND RUBBER GASKET MORRIS 8 SALOONS 1934 to 1938

Originally, the interior door handles of the saloon models were black bakelite 'pillars' fixed to the upright lever protruding through the door capping.

They had a chromium plated 'cap' at the bottom and were held onto the chromium plated end of the lever with a female dome headed slotted chromium plated set screw.

Some later reproduction ones were black plastic, but did not have the chromium plated 'cap' at the bottom.

To prevent rattling, and to prevent damage to the painted finish of the door cappings, a relatively hard black rubber gasket was placed between the timber in the door top and the metal capping. This gasket had a lip that protruded into the slot in the metal capping and wrapped around the edge of the slot.

Mine are in very poor condition, but I have not found the time to get a batch made.

I have however drawn it out (in 2001!), see later.

There are two different sizes, the ones for the Rear doors of the Four Door being smaller.

Perhaps someone out there knows who could make these up, but they do need to be well produced using quality materials otherwise they will look poor and may deteriorate in use. A good supplier/manufacture would no doubt advise what type of rubber, synthetic rubber or soft plastic would be suitable.

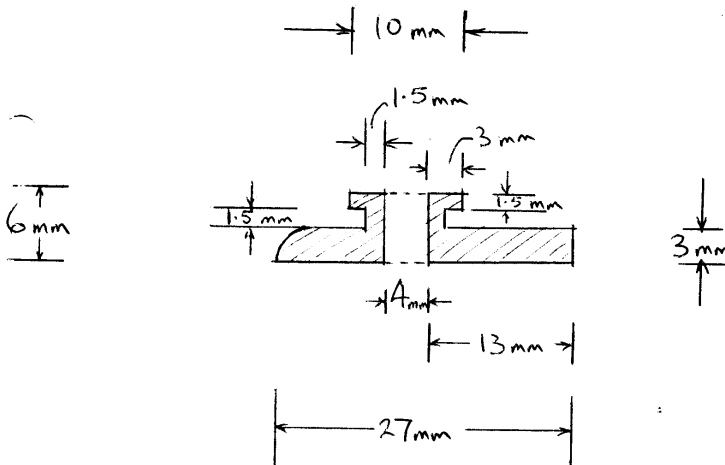
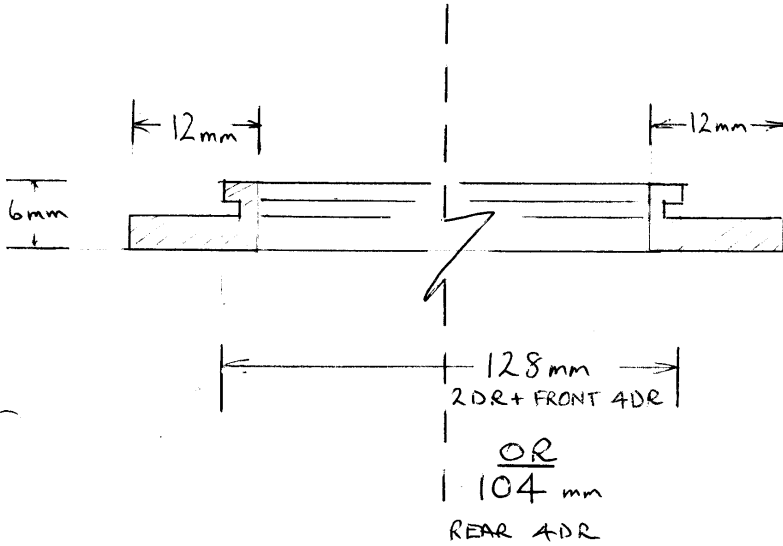
All sizes to be checked before manufacture.

All sizes shown need to be checked prior to manufacture, and a few prototypes need to be made before a quantity run is contemplated. In particular the nominal 1mm lip that I have drawn may be insufficient and might have to be enlarged.

I imagine there will be a considerable demand for these.

MORRIS 8 SALOON
 DOOR LOCK HANDLE RUBBER.

Slot in 1mm metal :- 2DR + FRONT 4DR - 126mm x 8mm
 REAR 4DR - 102mm x 8mm



R.A. BRYAN
 4/01

SCALE :
 TWICE FULL SIZE